

SLIMVENT™ Shielded Vent Panels

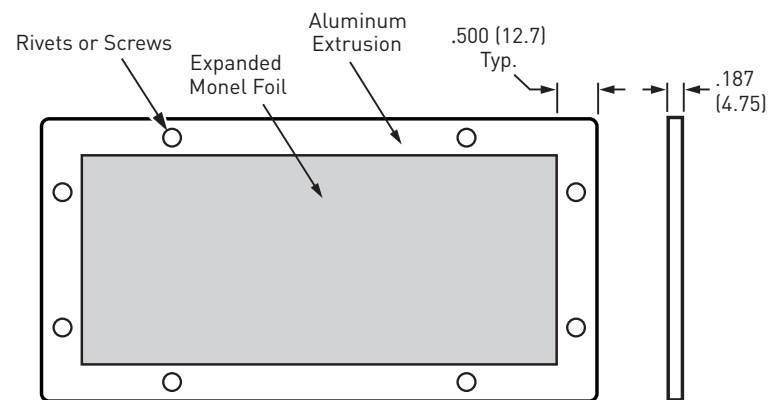
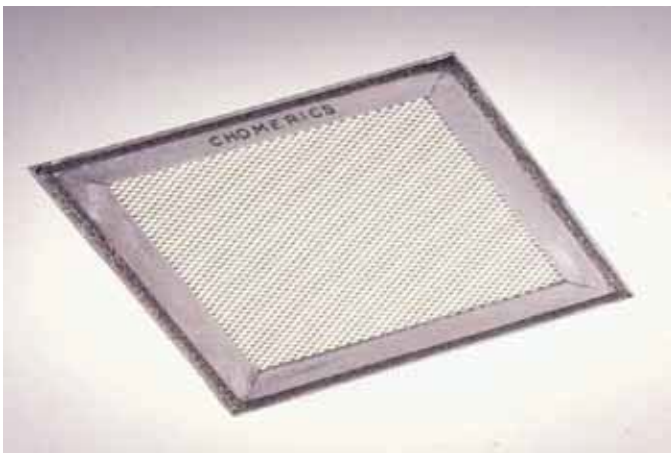
SLIMVENT Thin, Lightweight Panels for Air Intake and Exhaust Ports

SLIMVENT air ventilation panels provide 90 dB attenuation at 1 MHz to 50 dB at 10 GHz. The panels are made from expanded aluminum or monel (a nickel-copper alloy) foil, secured in an extruded aluminum frame only 0.187 in. (4.75 mm) thick.

This narrow profile is ideal for accommodating critical space limitations at air intake and exhaust ports. The frame features an integral wire mesh gasket for EMI shielding at the mounting interface.

Ordering Procedure:

Chomerics' SLIMVENT air panels are custom fabricated to specified dimensions. Part numbers will be assigned by Parker Chomerics. A detailed drawing should be provided to Chomerics.



Contact Information:

Parker Hannifin Corporation
Chomerics Division
 77 Dragon Court
 Woburn, MA 01801

phone 781 935 4850
 fax 781 933 4318
 chomailbox@parker.com

www.chomerics.com
 www.parker.com/chomerics

www.chomerics.com
 www.parker.com/chomerics

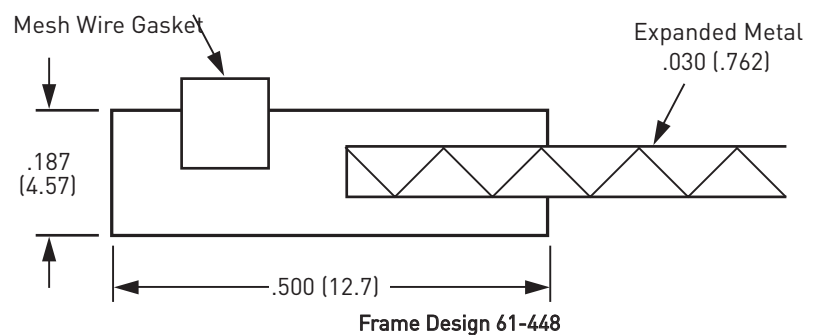


Figure 1 Typical SLIMVENT Filter Construction

CHOMERICS is a registered trademarks of Parker Hannifin Corporation. © 2012



ENGINEERING YOUR SUCCESS.